

- High-performance solution based on Realtek chipset
- Dual band access point with support for 802.11ac
- Radio interface with MIMO 2x2 support
- PoE+ power supply (IEEE 802.3at)
- Up to 40 clients per an access point
- Up-to-date authentication and encryption means



Solution for enterprise

WEP-2L provides accessible, easy-to-use, high-performance and secure wireless network that combines numerous features and services required by corporate clients.

WEP-2L is a universal solution for organization of wireless networks in highly crowded areas and high traffic environments (Offices, state institutions, conference halls, laboratories, hotels, etc.).

Scalability

The WEP-2L wireless access point is an up-to-date flexible solution that allows you to change the network coverage in order to increase the quantity of serviced mobile devices. Due to high performance hardware platform, scalability features and easy-to-use interface, it is possible to set up IT infrastructure simply and fast.

Wireless connection

Due to support for IEEE 802.11n/ac standards the WEP-2L access point provides 300 Mbps (at 2.4 GHz) and 867 Mbps (at 5 GHz) data rates.

The use of MIMO technology and embedded omnidirectional antennas makes WEP-2L a universal solution for corporate networks construction.

Security

WEP-2L provides personal data protection and corporate environment security due to the support for modern authentication technologies. Particularly, it uses a dynamic key that is unique for each active user station.

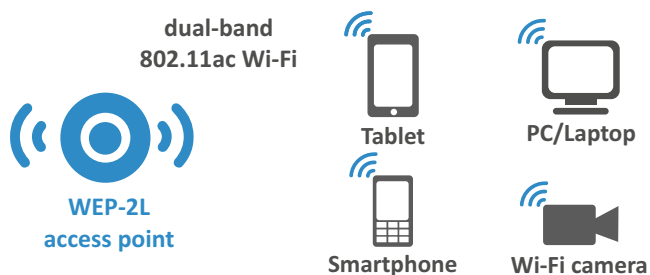
Performance

The high-performance Realtek processors are used in the devices in order to provide reliability and high data processing rates.

Power supply

The PoE+ technology makes installation of the equipment possible virtually everywhere, regardless of the power supply location. The use of PoE+ technology reduces total cost by discarding power cables and makes installation easier and faster.

Application diagram



WEP-2L interface configuration

Name	Ethernet	Wi-Fi
WEP-2L	1x1G	802.11a/b/g/n/ac

Features and capabilities

Interfaces

- 1 port of 10/100/1000Base-T (RJ-45)

WLAN capabilities

- Support for IEEE 802.11a/b/g/n/ac
- Data aggregation, including A-MPDU (Tx/Rx) and A-MSDU (Rx)
- WMM-based packet priorities and planning
- Dynamic frequency selection (DFS)
- Support for hidden SSID
- 8 virtual access points
- External access points detection
- Spectrum analyzer

Network features

- Automatic speed negotiation, duplex mode negotiation and MDI-MDI-X switch-over
- VLAN support (Access, Trunk, General)
- 802.1X authentication support
- DHCP client
- GRE support
- Support for GRE over IPsec
- Transmission of subscriber traffic out of tunnels
- ACL support
- NTP support
- Syslog support

QoS functions

- Packet priorities and planning based on profiles
- Bandwidth limiting for each SSID

Security

- Centralized authorization via RADIUS server (WPA/WPA2 Enterprise)
- WPA/WPA2 encryption
- Support for Captive Portal

Configuration

- Remote management via Telnet, SSH
- CLI
- NETCONF
- WEB interface

Wireless interface specifications

- Frequency range 2402–2482 MHz, 5170–5835 MHz
- DSSS, CCK, BPSK, QPSK, 16QAM, 64QAM, 256QAM modulations
- Support for MIMO 2x2
- Two Wi-Fi Realtek chipsets: RTL8197FS (2.4 GHz) and RTL8812FR (5 GHz)
- Bandwidth: 20, 40 MHz for 2.4 GHz;
20, 40 and 80 MHz for 5 GHz.

Operating channels¹

- 802.11b/g/n: 1–13 (2402–2482 MHz)
- 802.11a/n/ac: 36–64 (5170–5320 MHz)
100–144 (5490–5720 MHz)
149–165 (5745–5835 MHz)

Data rate²

- 802.11a: up to 54 Mbps
- 802.11b: up to 11 Mbps
- 802.11g: up to 54 Mbps
- 802.11n: up to 300 Mbps
- 802.11ac: up to 867 Mbps

Receiver sensitivity

- 2.4 GHz: up to -94 dBm
- 5 GHz: up to -94 dBm

Maximum power of the transmitter¹

- 2.4 GHz: 20 dBm
- 5 GHz: 20 dBm

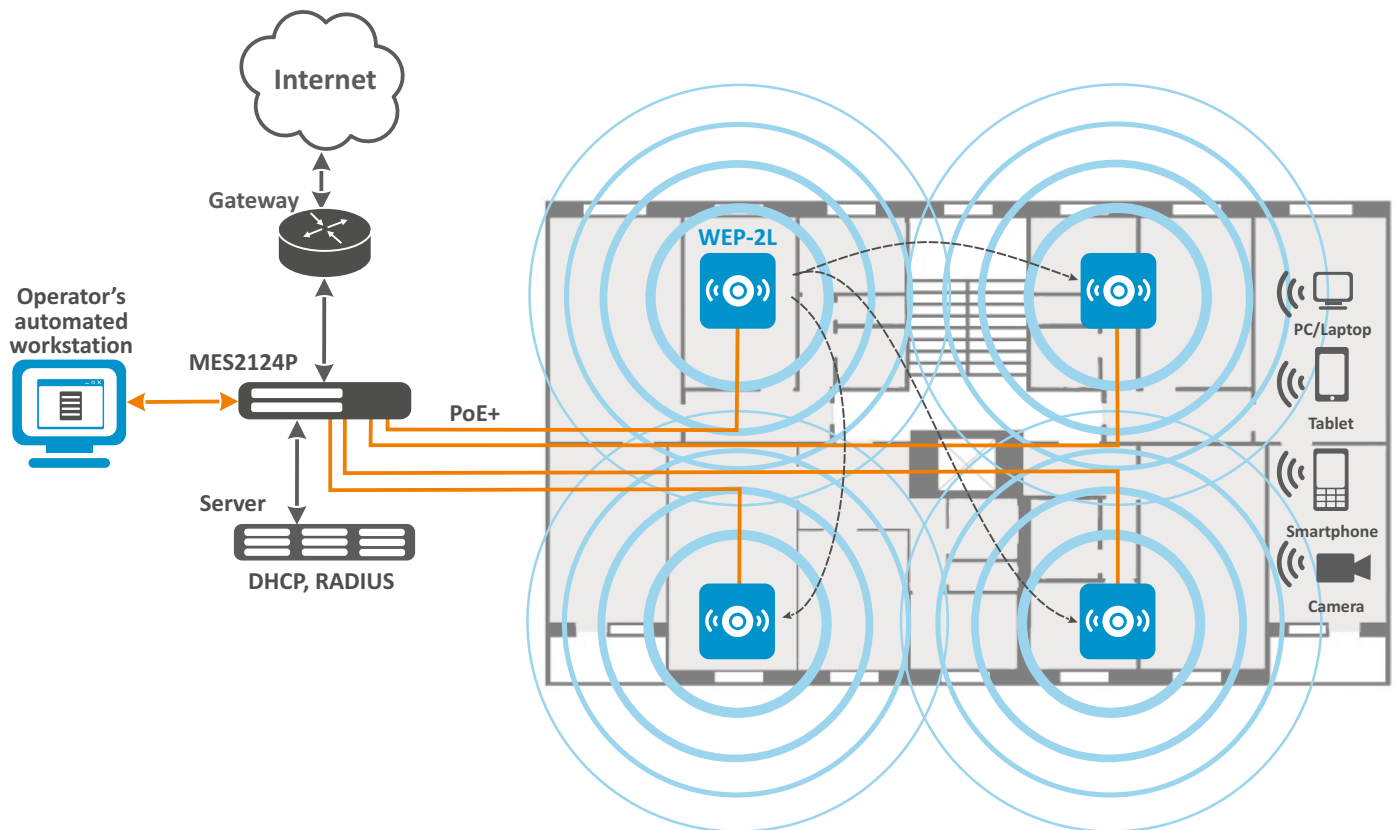
Physical specifications

- Maximum power consumption – 9 W
- Realtek RTL8197FS 1 GHz processor
- 32 MB Flash
- 128 MB RAM
- Power supply:
 - PoE+ 48V/54V (IEEE 802.3at-2009)
- Operating temperature from +5°C to +40°C
- Dimension (diameter x height): 200x40 mm


¹ The number of channels and the value of the maximum output power will vary according to the rules of radio frequency regulation in your country

² The maximum wireless data rate is defined according to IEEE 802.11n/ac standard. The real bandwidth can be different. Conditions of the network, environment, the amount of traffic, building materials and constructions and network service data can decrease the real bandwidth. The environment can influence on the network coverage range.

Application diagram



Ordering information

Name	Description	Image
WEP-2L	WEP-2L wireless access point, 802.11a/b/g/n/ac, 2.4 GHz, 5 GHz; radio interface with MIMO 2x2; 1 port of 10/100/1000Base-T (RJ-45)	

Contact us

+7 (383) 274 10 01
+7 (383) 274 48 48

 eltex@eltex-co.ru

 www.eltex-co.com

About Eltex

Eltex company is a leading Russian developer and manufacturer of telecommunication equipment with 25 years of history. Integrity of solutions and seamless integration capability into Customer infrastructure is a priority area of company development.