

- Amlogic S905X2 chipset
- ARMv8-A architecture
- ARM G31 MP2 graphic accelerator
- 2D/3D accelerators, support for OpenGL 3.2
- OS Android 9
- App store
- Support for widely used Middleware
- Android API, SDK
- H.265
- 4Kp60 decoding
- Wi-Fi 802.11a/b/g/n/ac
- HDMI 2.1



NV-720 IPTV set-top boxes on Android ensure a new level of service provision.

NV-720 is an excellent way to promote digital television services and to attract new customers.

Android platform

Android allows the creation of a single universal platform for access to services including AndroidTV interface.

Customized app store creation

The open platform and development tools (SDK, API) make it possible to create new operator services.

Hardware

Quad-core Amlogic media processor supports a wide range of audio and video formats.

Up-to-date Wi-Fi technologies

NV-720-WB set-top boxes support up-to-date Wi-Fi standards: 802.11a/b/g/n/ac. The devices implement real-time traffic stable transmission.

Peer-to-Peer TV

NV-720 series set-top boxes support real-time playback of media files via DC++ protocol without a PC or files preloading to a local disk. There is an opportunity of downloaded files queue creation, background downloading and organization of an illustrated page (catalogue) for media content.

Basic services

- HD/UHD IPTV
- OTT
- VoD
- Media Player (files playback from external storage media and a local network)
- Electronic program guide (EPG)
- Support for cloud services
- Online sources: YouTube, Internet radio, etc.
- Provider's app store
- Support for HLS
- Peer-to-Peer TV (streaming via DC++)

Features and capabilities

Hardware capabilities

- Amlogic S905X2 processor
- ARM v8-A
- 16560 DMIPS
- 2 GB RAM
- 8 GB Flash
- 2D/3D accelerators, OpenGL
- OS Android 9
- Support for H.265
- 4Kp60 decoding

General features

- Support for HLS
- Support for CAS, DRM
- Support for FHD 1080p, UHD 4Kp60
- Multilinguality
- An opportunity to connect a keyboard or mouse
- Management and voice search:
 - IR remote control
 - Bluetooth remote control (optionally)
 - Software remote control – Android app

Interfaces

- 1 x LAN 10/100
- 1 x USB 2.0
- HDMI 2.1
- Port for external IR receiver connection
- AV output

Video

- Screen resolution: UHD 2160p, FHD 1080p, HD 720p
- Supported video formats: MPEG1, MPEG(+HD), MPEG4(+HD), XvID, DivX, H.264, AVCHD, Vc1, H.265

Audio

- 44.1, 48, 96 kHz

Network

- Supported protocols: IP, HTTP, DHCP, NTP, IGMP (multicast), ICMP, UDP, RTP, RTSP, PPPoE, DLNA, SAMBA

Services

- Customized app store, Android applications, Google Play
- Firmware update via a customized app store
- Opportunity of local update
- Interface and settings customization

Wi-Fi wireless network¹

- Dual band Wi-Fi IEEE 802.11a/b/g/n/ac, 2.4/5 GHz
- Embedded antenna

Bluetooth¹

- Management
- Voice search

Physical characteristics

- Dimensions (WxHxD), mm: 102 x 22 x 93
- Placing: desktop
- Case material: IR transparent plastic

Power supply

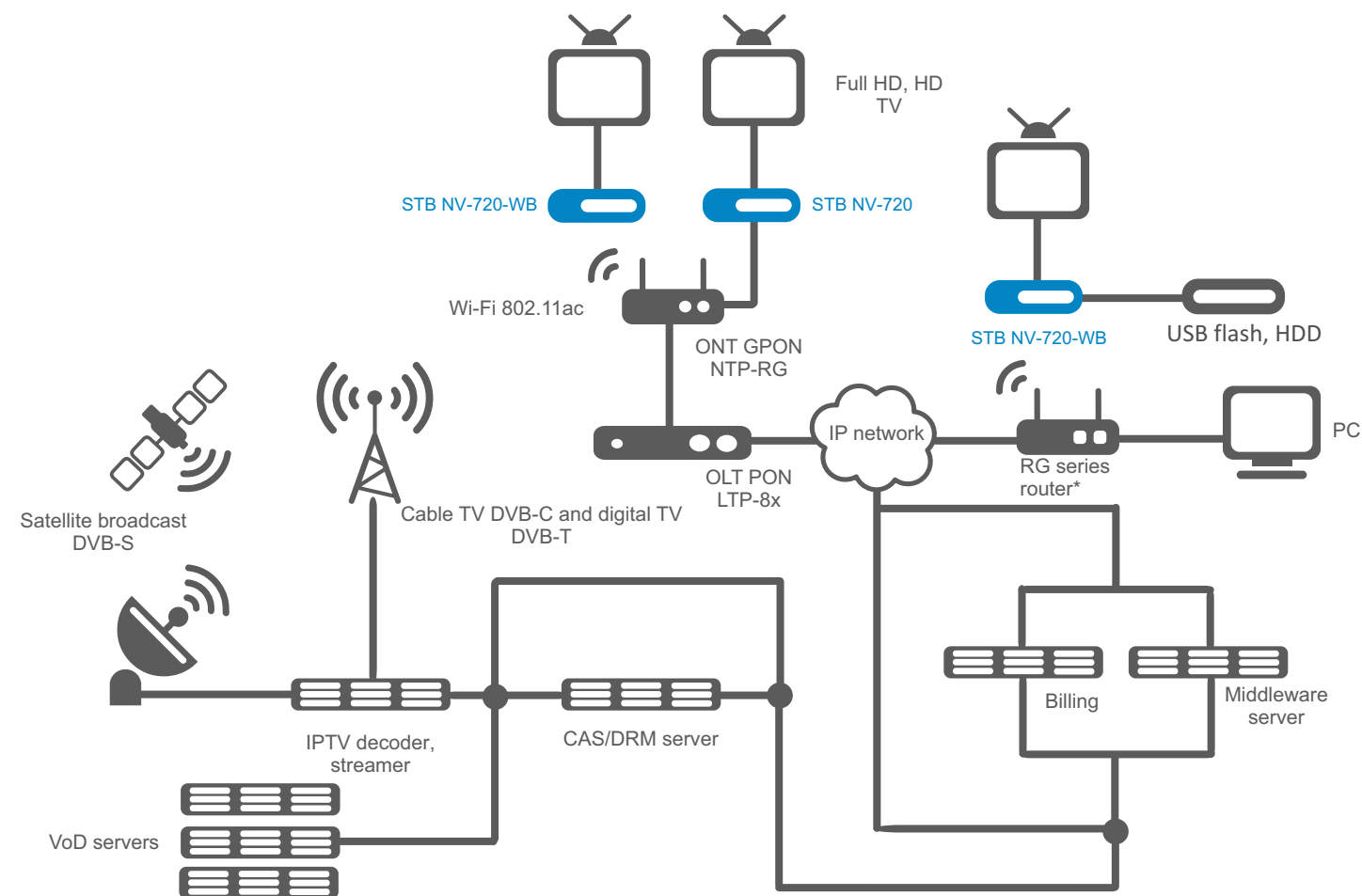
- Power adapter: 5.3 V/2.5 A

Package supply

- IPTV set-top box NV-720/NV-720-WB
- Power adapter
- IR remote control
- 2 AAA batteries
- HDMI cable
- RJ-45 cable
- Quick installation and configuration guide

¹ Only for NV-720-WB

Use case



Ordering information

Name	Description	Image
NV-720	Ultra HD STB and mediaplayer, Amlogic S905X2, 2 GB RAM, Android 9, 1xLAN 10/100, 1xUSB 2.0, HDMI 2.1	
NV-720-WB	Ultra HD STB and mediaplayer, Amlogic S905X2, 2 GB RAM, Android 9, 1xLAN 10/100, 1xUSB 2.0, HDMI 2.1, Wi-Fi 802.11 a/b/g/n/ac, Bluetooth	
Additional options		
IR remote control	Programmable remote control for TV and set-top box	

Contact us

+7 (383) 274 10 01
+7 (383) 274 48 48

eltex@eltex-co.ru

www.eltex-co.com

About ELTEX

ELTEX company is a leading Russian developer and manufacturer of telecommunications equipment with 28 years of history. Integrity of solutions and seamless integration capability into Customer infrastructure is a priority area of company development.