

- Throughput capacity 176 Gbps
- Non-blocking switching fabric
- L3 functions
- Stacking support
- Multicast support (IGMP Snooping, MVR)
- Advanced security functions (L2-L4 ACL, IP Source Guard, Dynamic ARP Inspection, etc.)

New generation of access switches provides end users connection to large-scale corporate networks, small and medium business networks and to service provider networks using 1G/10G interfaces.

MES2324FB and MES2324F DC switches can be used in service provider networks as aggregation or transport switches. They ensure high performance due to the interfaces operating at speeds of 10 Gbps or 1 Gbps.

The switches support physical stacking, VLANs, multicast groups and advanced security functions.



MES2308



MES2324



MES2348B

Technical features

| | MES2308 ^{CE} | MES2308R ^{CE} | MES2324 ^{CE} | MES2324B | MES2324F ^{CE} | MES2324FB ^{CE} | MES2348B |
|---|-----------------------|------------------------|---------------------------------|----------|------------------------|-------------------------|-----------------------------------|
| Common parameters | | | | | | | |
| Packet processor | Marvell 98DX3233 | | Marvell 98DX3236-A1 (AlleyCat3) | | | | Marvell 2x98DX3236-A1 (AlleyCat3) |
| Interfaces | | | | | | | |
| 10/100/1000BASE-T (RJ-45) | 10 | 8 | 24 | 24 | — | — | 48 |
| 1000BASE-X/100BASE-FX (SFP) | — | — | — | — | 20 | 20 | — |
| 1000BASE-X (SFP) | 2 | — | — | — | — | — | — |
| 10/100/1000BASE-T/1000BASE-X/100BASE-FX Combo | — | 2 | — | — | 4 | 4 | — |
| 10GBASE-R (SFP+)/1000BASE-X (SFP) | — | — | 4 | 4 | 4 | 4 | 4 |
| Console port RS-232 (RJ-45) | | | | 1 | | | |
| Performance | | | | | | | |
| Bandwidth | 24 Gbps | 20 Gbps | | | 128 Gbps | 176 Gbps | |
| Throughput for 64 bytes ¹ | 17.7 MPPS | 14.7 MPPS | | | 92.1 MPPS | 130.9 MPPS | |
| Buffer memory | | | | 1.5 MB | | | 3 MB |
| RAM (DDR3) | | | | 512 MB | | | |
| ROM (RAW NAND) | | | | 512 MB | | | |
| MAC table | | | | 16K | | | |
| VLAN table | | | | 4094 | | | |
| L2 Multicast groups | | | | 2K | | | |
| ARP table ² | | | | 820 | | | |

¹ Values are given for 1-way transmission

² For each host in the ARP table, an entry is created in the routing table

^{CE} — the device complies with CE requirements

Technical features

| | MES2308 | MES2308R | MES2324 | MES2324B | MES2324F | MES2324FB | MES2348B |
|--|---------------------------|----------|---------|----------|----------|-----------|----------|
| Link Aggregation Groups (LAG) | 48, up to 8 ports per LAG | | | | | | |
| Maximum size of ECMP groups | 8 | | | | | | |
| Quality of Service (QoS) | 8 egress queues per port | | | | | | |
| Number of ACL rules | 958 | | | | | | |
| L3 IPv4 Unicast ¹ | 818 | | | | | | |
| L3 IPv6 Unicast ¹ | 210 | | | | | | |
| L3 IPv4 Multicast (IGMP Proxy, PIM) ¹ | 412 | | | | | | |
| L3 IPv6 Multicast (IGMP Proxy, PIM) ¹ | 103 | | | | | | |
| Jumbo frames size | 10 240 bytes | | | | | | |
| Stacking | 8 devices | | | | | | |

Features and capabilities

Interface functions

- Head-of-line blocking (HOL) protection
- Back pressure
- Auto MDI/MDIX
- Jumbo frames
- Flow control (IEEE 802.3X)
- Port mirroring
- Stacking

MAC table functions

- Independent learning mode per VLAN
- MAC Multicast Support
- Configurable aging time of MAC addresses
- Static MAC Entries
- MAC Flapping logging

VLAN functions

- Voice VLAN
- 802.1Q
- Q-in-Q
- Selective Q-in-Q
- GVRP

L2 Multicast functions

- Multicast profiles
- Static Multicast groups
- IGMP Snooping v1,2,3
- Port/host-based IGMP Snooping Fast Leave
- Pim-Snooping
- IGMP proxy-report
- IGMP authorization via RADIUS
- MLD Snooping v1,2
- IGMP Querier
- MVR

L2 functions

- STP (Spanning Tree Protocol, IEEE 802.1d)
- RSTP (Rapid Spanning Tree protocol, IEEE 802.1w)
- MSTP (Multiple Spanning Tree, IEEE 802.1s)
- STP Multiprocess
- PVSTP+
- RPVSTP+
- Spanning Tree Fast Link option
- STP Root Guard
- STP Loop Guard
- BPDU Filtering
- STP BPDU Guard
- VLAN-based Loopback Detection (LBD)
- ERPS (G.8032v2)
- Flex-link
- Private VLAN, Private VLAN Trunk
- Layer 2 Protocol Tunneling (L2PT)

L3 functions

- Static IP routes
- Dynamic routing protocols RIPv2, OSPFv2, OSPFv3, IS-IS, BGP²
- BFD
- Address Resolution Protocol (ARP)
- Proxy ARP
- Policy-Based Routing (IPv4)
- VRRP
- PIM SM, PIM DM, IGMP Proxy, MSDP
- IP Unnumbered
- ECMP Load Balancing

Link Aggregation functions

- Static LAG
- Dynamic LAG (LACP)
- LAG Balancing Algorithm
- Multi-Switch Link Aggregation Group (MLAG)

¹ IPv4/IPv6 Unicast/Multicast routes share hardware resources

² BGP protocol support is provided under license

Features and capabilities

IPv6 functions

- IPv6 Host
- Dual-stack

Service functions

- Virtual Cable Testing (VCT)
- Optical transceiver diagnostics
- Green Ethernet

Security functions

- DHCP Snooping
- DHCP Option 82
- IP Source Guard
- Dynamic ARP Inspection
- First Hop Security
- sFlow
- MAC-based authentication, Port Security, Static MAC entries
- Port-based authentication IEEE 802.1x
- Guest VLAN
- DoS attack prevention
- Traffic segmentation
- Protection against non-authorized DHCP servers
- DHCP clients filtering
- BPDU attacks prevention
- NetBIOS/NetBEUI filtering
- PPPoE Intermediate Agent

ACL (Access Control List)

- L2-L3-L4 ACL
- Time-Based ACL
- IPv6 ACL
- ACL based on:
 - Physical port number
 - IEEE 802.1p
 - VLAN ID
 - EtherType
 - DSCP
 - Protocol type
 - TCP/UDP port number
 - User Defined Bytes

Quality of Service (QoS) and rate limiting

- QoS statistics
- Shaping, Policing
- IEEE 802.1p Class of Service (CoS)
- Storm Control for different types of traffic (broadcast, multicast, unknown unicast)
- Bandwidth management
- Scheduling algorithms: Strict Priority/Weighted Round Robin (WRR)
- Three marking colors
- ACL-based CoS/DSCP mark assignment
- Setting the IEEE 802.1p priority for management VLAN
- DSCP to CoS/CoS to DSCP remarking
- ACL-based VLAN assignment
- 802.1p, DSCP mark assignment for IGMP

OAM/CFM

- 802.3ah Ethernet Link OAM
- Dying Gasp
- 802.1ag Connectivity Fault Management (CFM)
- 802.3ah Unidirectional Link Detection (UDLD)

Main management functions

- Download and upload of configuration file via TFTP/SCP
- Redirecting the output of CLI commands to an arbitrary file on ROM
- SNMP
- Command Line Interface (CLI)
- Web interface
- Syslog
- SNTP (Simple Network Time Protocol)
- Traceroute
- LLDP (802.1ab) + LLDP MED
- Access control – privilege levels
- Management interface blocking
- Local authentication
- IP addresses filtering for SNMP
- RADIUS, TACACS+ (Terminal Access Controller Access Control System) clients
- Change of Authorization (CoA)
- SSH server, Telnet server
- SSH client, Telnet client
- Remote start of commands via SSH
- SSL
- Macrocommands
- CLI commands logging
- System log
- DHCP autoprovision
- DHCP Relay (Option 82)
- DHCP Option 12
- DHCP Relay, DHCPv6 LDRA (Option 18, 37)
- PPPoE Circuit-ID tag
- Flash File System
- Debugging commands
- Rate limit of traffic to CPU
- Password encryption
- Password recovery
- Ping (IPv4/IPv6 support)
- DNS server (Resolver)

Monitoring functions

- Statistics on interfaces
- RMON/SMON
- IP SLA
- CPU utilization monitoring per task and per traffic type
- RAM utilization monitoring
- Temperature monitoring
- TCAM utilization monitoring

MIB/IETF

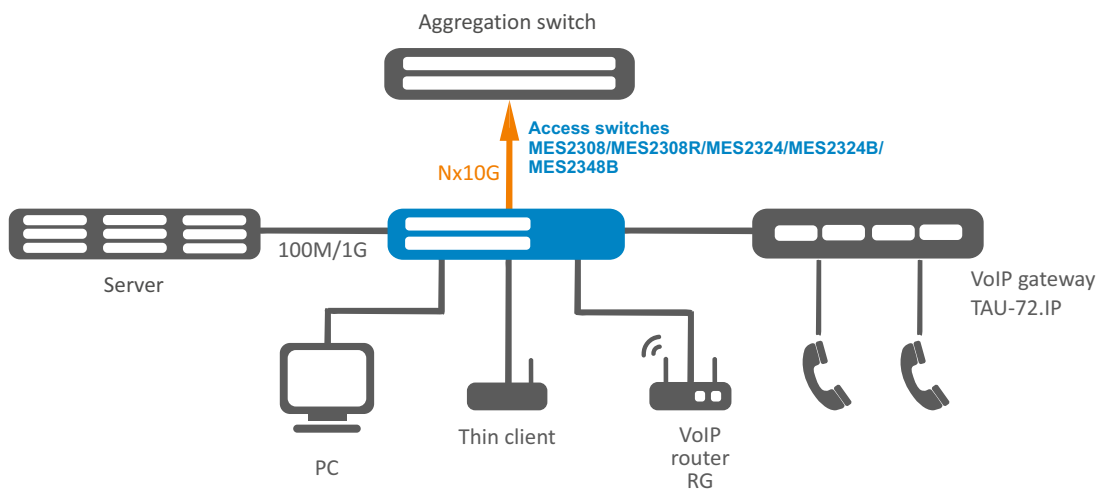
- RFC 1065, 1066, 1155, 1156, 2578 MIB Structure
- RFC 1212 Concise MIB Definitions
- RFC 1213 MIB II
- RFC 1215 MIB Traps Convention
- RFC 1493, 4188 Bridge MIB
- RFC 1157, 2571-2576 SNMP MIB
- RFC 1901-1908, 3418, 3636, 1442, 2578 SNMPv2 MIB
- RFC 1271, 1757, 2819 RMON MIB
- RFC 2465 IPv6 MIB
- RFC 2466 ICMPv6 MIB
- RFC 2737 Entity MIB
- RFC 4293 IPv6 SNMP Mgmt Interface MIB
- Private MIB
- RFC 3289 DIFFSERV MIB
- RFC 2021 RMONv2 MIB

MIB/IETF (continuation)

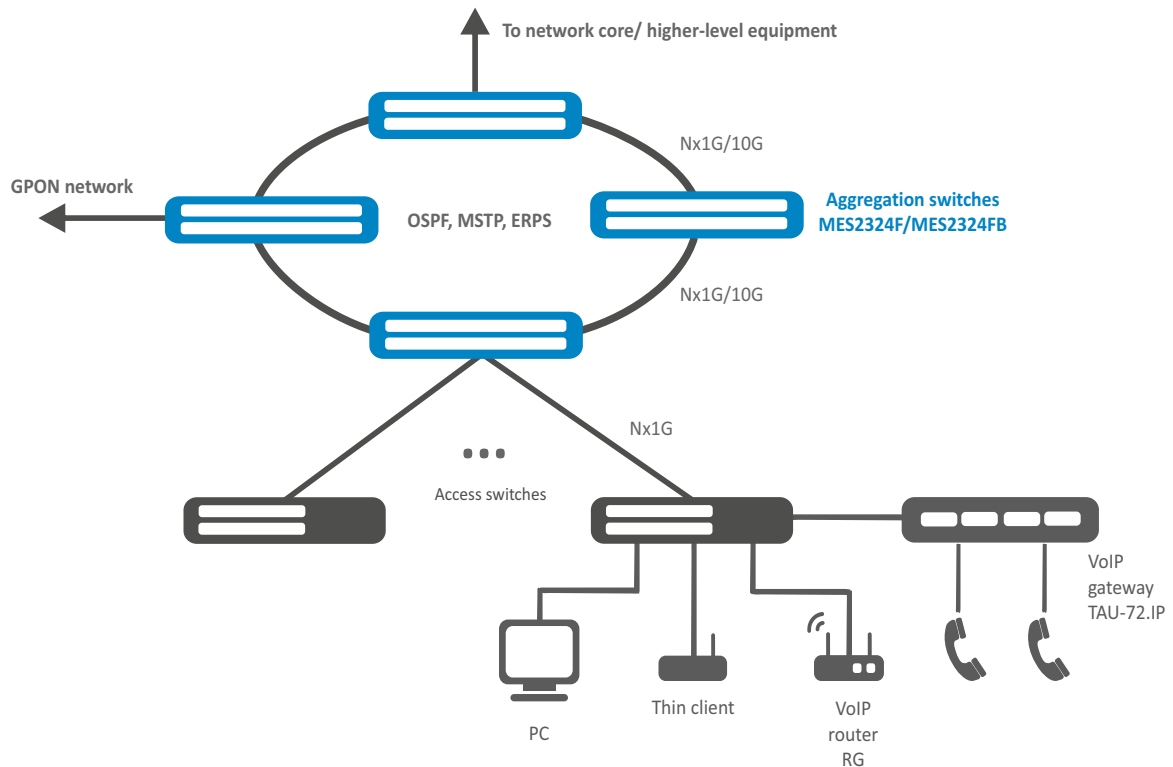
- RFC 1398, 1643, 1650, 2358, 2665, 3635 Ether-like MIB
- RFC 2668 802.3 MAU MIB
- RFC 2674, 4363 802.1p MIB
- RFC 2233, 2863 IF MIB
- RFC 2618 RADIUS Authentication Client MIB
- RFC 4022 MIB for TCP
- RFC 4113 MIB for UDP
- RFC 3298 MIB for Diffserv
- RFC 2620 RADIUS Accounting Client MIB
- RFC 2925 Ping & Traceroute MIB
- RFC 768 UDP

- RFC 791 IP
- RFC 792 ICMPv4
- RFC 2463, 4443 ICMPv6
- RFC 4884 Extended ICMP for Multi-Part messages support
- RFC 793 TCP
- RFC 2474, 3260 DS field definition in IPv4 and IPv6 headers
- RFC 1321, 2284, 2865, 3580, 3748 Extensible Authentication Protocol (EAP)
- RFC 2571, RFC2572, RFC2573, RFC2574 SNMP
- RFC 826 ARP
- RFC 854 Telnet

Use Case for access switches










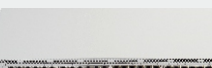
Use Case for aggregation switches



Physical parameters

| | MES2308 | MES2308R | MES2324 | MES2324B | MES2324F | MES2324FB | MES2348B |
|---|------------------------|------------------------|------------------------------------|---------------------------------|-------------------------|---------------------------------|---------------------------------|
| Physical specifications and environmental parameters | | | | | | | |
| Maximum power consumption | 20 W | 15 W | 25 W | 50 W | 35 W | 85 W | 85 W |
| Power supply | 110–250 V AC, 50–60 Hz | 110–250 V AC, 50–60 Hz | 110–250 V AC, 50–60 Hz; 36–72 V DC | 110–250 V AC, 50–60 Hz; 12 V DC | 36–72 V DC | 110–250 V AC, 50–60 Hz; 12 V DC | 110–250 V AC, 50–60 Hz; 12 V DC |
| Input current | 0.18–0.08 A | 0.14–0.06 A | 0.23–0.1 A; 0.69–0.35 A | 0.45–0.2 A; 2.5 A | 0.97–0.49 A | 0.77–0.35 A; 3.5 A | 0.77–0.35 A; 4.5 A |
| Output current | no | no | no | 1.7 A | no | 2.7 A | 2.7 A |
| Hardware support for Dying Gasp | no | yes | no | no | no | no | no |
| Operating temperature | from -20 to +45°C | from -20 to +50°C | | | from -20 to +65°C | | from -20 to +50°C |
| Storage temperature | from -50 to +70°C | | | | | | |
| Operating humidity | no more than 80% | | | | | | |
| Cooling | passive cooling | | | | active cooling (4 fans) | | active cooling (2 fans) |
| Form factor | 19", 1U | | | | | | |
| Dimensions (WxHxD), mm | 310x44x158 | 310x44x158 | 430x44x158 | 430x44x158 | 430x44x243 | 430x44x243 | 440x44x280 |
| Weight | 1.45 kg | 1.45 kg | 2.25 kg | 2.25 kg | 3.25 kg | 3.55 kg | 3.85 kg |

Ordering information


| Name | Description | Image |
|-------------|---|---|
| MES2308 AC | MES2308 Ethernet switch, 10 ports of 10/100/1000BASE-T, 2 ports of 1000BASE-X, L3, 110–250 V AC |  |
| MES2308R AC | MES2308R Ethernet switch, 8 ports of 10/100/1000BASE-T, 2 ports of 10/100/1000BASE-T/1000BASE-X/100BASE-FX Combo, L3, 110–250 V AC |  |
| MES2324 AC | MES2324 Ethernet switch, 24 ports of 10/100/1000BASE-T, 4 ports of 10GBASE-R (SFP+)/1000BASE-X (SFP), L3, 110–250 V AC |  |
| MES2324 DC | MES2324 Ethernet switch, 24 ports of 10/100/1000BASE-T, 4 ports of 10GBASE-R (SFP+)/1000BASE-X (SFP), L3, 36–72 V DC |  |
| MES2324B | MES2324B Ethernet switch, 24 ports of 10/100/1000BASE-T, 4 ports of 10GBASE-R (SFP+)/1000BASE-X (SFP), L3, 110–250 V AC, 12 V DC |  |
| MES2324F DC | MES2324F Ethernet switch, 20 ports of 1000BASE-X/100BASE-FX (SFP), 4 ports of 10/100/1000BASE-T/1000BASE-X/100BASE-FX Combo, 4 ports of 10GBASE-R (SFP+)/1000BASE-X (SFP), L3, 36–72 V DC |  |
| MES2324FB | MES2324FB Ethernet switch, 20 ports of 1000BASE-X/100BASE-FX (SFP), 4 ports of 10/100/1000BASE-T/1000BASE-X/100BASE-FX Combo, 4 ports of 10GBASE-R (SFP+)/1000BASE-X (SFP), L3, 110–250 V AC, 12 V DC |  |
| MES2348B | MES2348 Ethernet switch, 48 ports of 10/100/1000BASE-T, 4 ports of 10GBASE-R (SFP+)/1000BASE-X (SFP), L3, 110–250 V AC, 12 V DC |  |

Related software

EMS-MES-access

EMS-MES-access option of Eltex.EMS system for ELTEX network elements management and monitoring: 1 network element is an access switch

Contact us


+7 (383) 274 10 01
+7 (383) 274 48 48


eltex@eltex-co.ru


www.eltex-co.com

About ELTEX

ELTEX company is a leading Russian developer and manufacturer of telecommunication equipment with more than 25 years of history. Integrity of solutions and seamless integration capability into Customer infrastructure is a priority area of company development.